



# Model: Z5577

Dual Flush Pressure Assist, Round Front,  
Two-Piece Toilet

TAG \_\_\_\_\_

## Architectural/Engineering Specification:

Zurn Z5577 Vitreous China floor mounted, Two Piece toilet, High Efficiency Dual Flush 1.6 gpf / 6.0 Lpf or 1.1 gpf / 4.2 Lpf, Pressure Assisted tank, Round Front rim and 12" Rough-in.

Zurn Z5577 utilizes Zurn EcoVantage® dual-flush technology, offers an innovative water saving solution ideal for commercial applications.

## Product Features:

- 1.6 gpf or 1.1 gpf flow rate
- High efficiency toilet (HET) reduces potable water usage over 30%
- Vitreous china
- Pressure assisted tank
- High performance EcoFlush™ technology
- Easy touch handle actuation
- Ultra quiet flush
- Siphon jet flush action
- 2-1/8" fully glazed trapway
- Operating pressure range 20-80 psi
- Round front rim
- Chrome plated handle
- Large water surface area
- Includes bolt caps
- Shipping weight: 95 lbs.

Note: HET 1.6 gpf and HET 1.1 gpf pressure assist tanks also available. See models Z5575 and Z5576.

## Compliance and Certification:

- ASME A112.19.2 / CSA B45.1

The Z5562-TNK-PA is WaterSense listed when paired with a Z5575-BWL.



## Suffix Option:

- RH Vitreous China right-hand lever tank
- VL Vitreous China lid with vandal-proof lock down.

## Recommended Trim:

### -Z5972-COMB

Closet bolt & wax ring kit.

### -Z5958SS-EL

Elongated, white, closed front toilet seat with cover & stainless steel check hinge.

### -Z8800-CR

Standard stop with flexible closet riser.

## Optional Trim

### -Z5975-FLO-JR

PVC Flo-Bowl Jr. closet flange kit

See Zurn One Systems for suggested packages.

**Architectural/Engineering Approval**

Fixture dimensions meet ASME A112.19.2 / CSA B45.1 requirements.

In Canada - Consult local codes and standards.

The information contained in this document is subject to change without notice.  
Please contact Zurn for most up to date information.

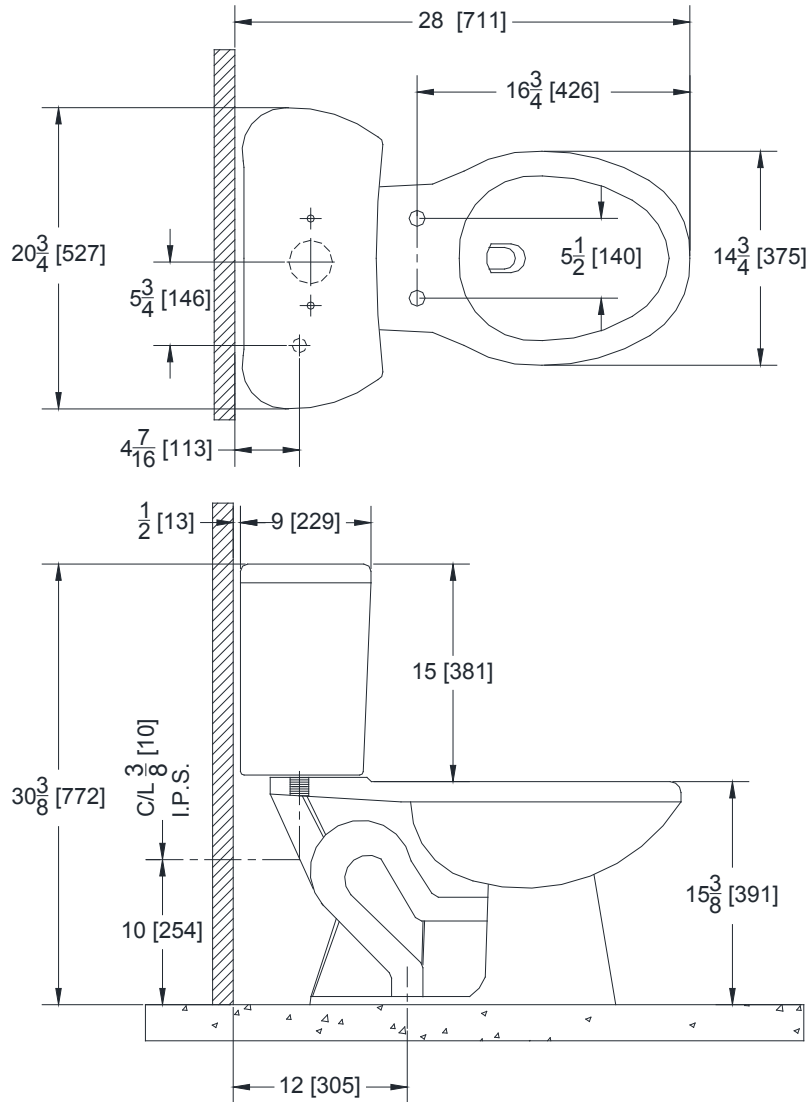


# Model: Z5577

Dual Flush Pressure Assist, Round Front,  
Two-Piece Toilet

TAG \_\_\_\_\_

Rough-in dimensions for Z5577



Fixture dimensions meet ASME A112.19.2 / CSA B45.1 requirements.

In Canada - Consult local codes and standards.